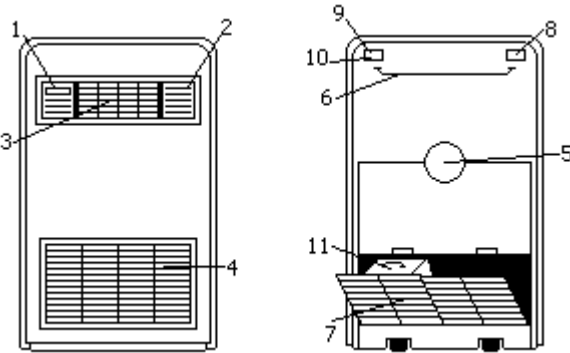




Portable air conditioner unit – Ecos 1 Operating Instruction

Unit description – Room air conditioner, portable air conditioner, mobile cooler, Ecos

Please take a few minutes to read these operating instructions before attempting to use your Ecos1 portable Air Conditioner



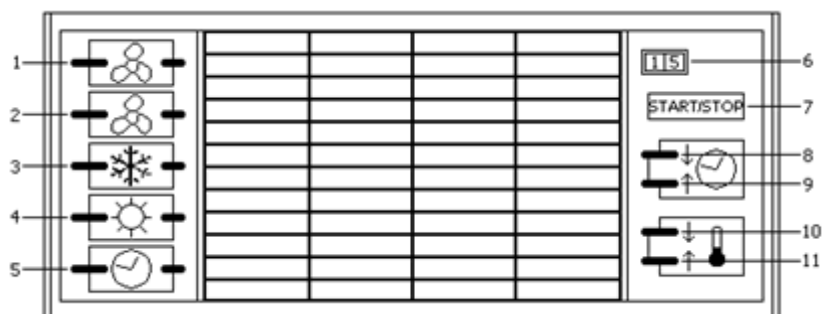
1. Function selection control panel
2. Temperature & timer control panel
3. Air control grille
4. Air intake grille with filter
5. Hot air outlet tube fitting
6. Handle
7. Rear air intake grille with filter
8. On / Off switch
9. Drip tank warning light
10. Dehumidification On / Off switch
11. Drip tank

Correct Installation and Position of this portable air conditioner unit

Connect the hot air exhaust to the hot air outlet at the rear of the portable unit(5) connect the window flange to the other end and place to a window opening, The air conditioner unit should be positioned so that it has at least 20cm clearance from any obstacles that could prevent good air flow through the front and rear intake grilles.

Portable Air Conditioner Controls

1. Fan high speed select key
2. Fan low speed select key and automatic fan speed select
3. Cooling select key
4. Heating select key (if optional heating element installed)
5. Programmer On / Off key
6. Lighted display
7. Start / Stop programming key
8. Time forward key
9. Time back key
10. Temperature increase key
11. Temperature decrease key



Switching the Air Conditioning On

Move the lighted toggle switch on the back of the air conditioner unit to the ON position. As soon as this is switched ON the fan will start. If it does not, check if the 'programmer' key is OFF (LED out).

Routine Cleaning Filters

FRONT FILTER – Remove the front air intake grille by pushing from the bottom towards the top at the centre of the grille. Pull it towards you and extract it from its housing. When the grille is out, remove the filter from the runners inside the grille. Wash the

filter with a jet of water. Before replacing it, shake off any water trapped in the filter.

REAR FILTER – This is built into the rear intake grille. To remove it, just push the two clip fasteners on the top of the grille and pull it towards you. Wash the filter with a jet of water. Before replacing it, shake off any water trapped in the filter.

Emptying the Drip Tank

The yellow LED next to the dehumidifying button will light up when the drip tank is full and all air conditioner functions will stop. To empty drip tank, follow the below steps:

1. Switch the air conditioner OFF with the lighted toggle switch
2. Open the rear grille hatch at the back of the portable unit (push the two clip fasteners on the top of the grille and pull towards you).
3. Lift the drip tank up and pull it towards you and out
4. Pour the water away
5. When replacing the tank, check to make sure the drain hole is at the centre

IMPORTANT: Make sure that the drip tank has been replaced correctly in its housing.

Trouble Shooting

PROBLEM	LIKELY CAUSE	SUGGESTED SOLUTION
The room air conditioner will not come on	Not plugged in	Plug in or check the socket is live Check fuse in plug and extension lead if one is being used
Fan does not start	Programmer on	Press once to switch off
Does not cool	Not in cooling mode	Press cooling select key (3)
	Air filter clogged	Clean the filters
The air conditioner works but does not cool the room	Window open	Close the window
	The temperature is set too high	Lower the set temperature
	Air filter clogged	Clean the filter
	The capacity of the room air conditioner is not appropriate for the conditions or size of room	Call London Cool on 0800 440 444
	Windows and doors are open too much	Close the doors and windows as much as possible
Control panel is off, unit does not work but main on/off switch and front lights are on	Drip tank is full	See How to empty the drip tank.

**Should any of the above problems persist please contact London Cool on 0800 440 444
London Cool room air conditioner rental hire & sale
Heaters fixed installations & dehumidifiers**

This document has been compiled in good faith, but no representation is made or warranty given (either express or implied) as to the completeness or accuracy of this information